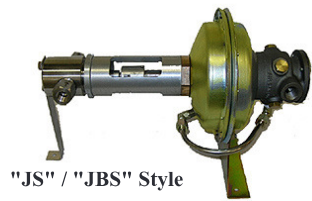
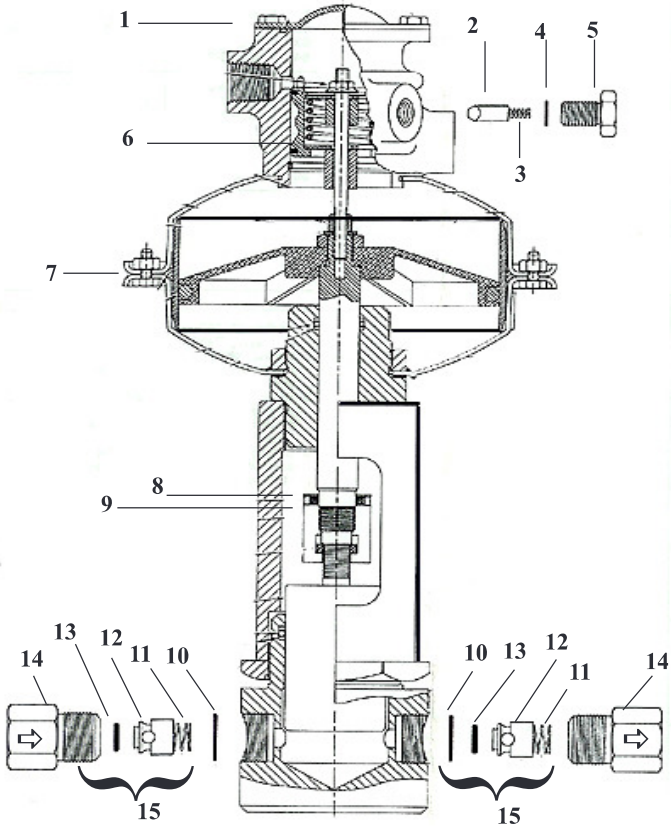


AIR OPERATED TEST PUMP PARTS BREAKDOWN

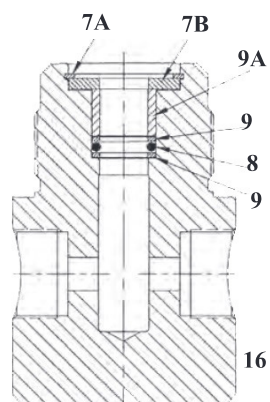


"JS" / "JBS" Style



"J" / "JB" Style

Pumps utilize the same internal parts except for piston o-rings and backups, diagrams shown for illustrational purposes only



Newer Style "JB" / "JBS" Style Pump Body.
Is a direct replacement for older "J" / "JS" style



#17 Rebuild Kit
consist of:

Key #	Qty	Key #	Qty
1	1	8	1
2	4	9	2
3	4	10	2
4	4	11	2
5	4	12	2
6	4	13	2
7	2		

For Pump Rated To: (psi)

Key	Part No.	Description	Qty Rqd'	1000	1850	6100	8800	10,000	16,000			
Model No. shown on label of pump: "JS" or "J" or newer model "JBS" or "JB" used since mid 2017				JS / J	JS / J	JS / J	JBS/JB	JS / J	JBS/JB	JBS/JB	JS / J	JBS/JB
1	190-554	Gasket, top cover	1	•	•	•	•	•	•	•	•	•
2	190-080	Detent pin	4	•	•	•	•	•	•	•	•	•
3	190-079	Detent spring	4	•	•	•	•	•	•	•	•	•
4	190-560	Detent o-ring	4	•	•	•	•	•	•	•	•	•
5	190-559	Detent bolt	4	•	•	•	•	•	•	•	•	•
6	190-417	Spring	1	•	•	•	•	•	•	•	•	•
7	190-566	O-ring, housing	1	•	•	•	•	•	•	•	•	•
7A	190-420	Retaining ring, piston body	1									
7B	190-421	Retainer, piston body	1									
8	See Chart	O-ring, piston	1	190-589	190-590	190-591	190-430	190-592	190-431	190-431	190-593	190-432
9	See Chart	Teflon backup o-ring, piston	2	190-582	190-583	190-584	190-426	190-585	190-427	190-428	190-586	190-429
9A	See Chart	Teflon bushing for JBS/JB style piston body	1				190-422		190-423	190-424		190-425
10	190-068	Brass washer for check valve body	2	•	•	•	•	•	•	•	•	•
11	210-067	Spring, check valve	2	•	•	•	•	•	•	•	•	•
12	240-115	Poppet shuttle, check valve	2	•	•	•	•	•	•	•	•	•
13	58-031	O-ring for poppet shuttle	2	•	•	•	•	•	•	•	•	•
14	240-114	Check valve body	2	•	•	•	•	•	•	•	•	•
15	120-090	Check valve assembly - includes items 10-14	2	•	•	•	•	•	•	•	•	•
N/S	120-091	Check valve rebuild kits - includes items 10-13	2	•	•	•	•	•	•	•	•	•
N/S	120-094	Check valve seal kit - includes items 10,13	2	•	•	•	•	•	•	•	•	•
16	See Chart	Body / Piston assembly	1	190-124	190-123	190-121	190-121	190-119	190-119	190-126	190-081	190-081
17	See Chart	Rebuild kit-contains common replaceable parts		190-480	190-481	190-482	190-482	190-483	190-483	190-487	190-484	190-484

Starting in 2017, the older style JS and J model pumps were phased out. If replacing piston o-rings it is important to check the model no. on the pump label, so that proper parts are ordered.



Typical label:
"JBS" series rated to 16,000 psi

www.hydro-test.com

Tel: 800-225-9488 / 978-897-4647 Fax: 978-897-1942



Hydro-Test Products Inc.

email: sales@hydro-test.com